

安裝手冊 Installation Manual



氣體熱水爐
Gas Water Heater

Giw-212S (LPG) FOR LP GAS 石油氣適用
Giw-212S (TG) FOR TOWN GAS 煤氣適用

內容	Content
安裝檢查項目表.....	1
Check List for Installation	
配件.....	2
Accessories	
安全指示.....	3
Safety Instructions	
安裝注意事項.....	9
Cautions for Installation	
尺寸.....	12
Dimensions	
熱水爐安裝.....	13
Installation of the heater	
供水及熱水喉管.....	19
Water supply and hot water piping	
氣體喉管.....	20
Gas piping	
電力安裝.....	20
Electric work	
測試操作.....	22
Trial operation	

適用於香港

For Use in Hong Kong

注意! 根據香港氣體安全規例, 任何氣體裝置工程, 包括爐具和接駁喉管的安裝, 必須由註冊氣體裝置技工執行, 而該技工已於相關的氣體工程類別註冊及受聘於註冊氣體工程承辦商。

Attention! According to the Gas Safety Regulations of Hong Kong, any gas installation works including the installation of appliances and connection tubing, must be undertaken by registered gas installers who are registered for that appropriate classes and be employed by registered gas contractors.

使用認可印有機電工程署批准標記 (例如 :機電工程署批准EMSD APPROVAL GTXXXX) 的氣體接駁喉管連接爐具, 或使用機電工程署接納的其他恰當方法。

Use approved gas tubing bearing EMSD approval marking (such as :機電工程署批准EMSD APPROVAL GTXXXX) for connection to appliances, or other appropriate methods accepted by EMSD.

給安裝技工 To installer

當安裝完成後, 請確定下列項目

After the installation is completed, please confirm the below listed items.

安裝後之檢查 Inspection after installation

● 檢查項目表 Check List

項目 Items	內容 Content	參考 Reference	檢查 Check
熱水爐及其鄰近 Heater and its vicinity	氣體種類 Gas type	所用之氣體是否熱水爐上標貼所標明的氣體? Does gas type used correspond to the one specified in the specification label on the heater?	5
	電源(電壓/頻率) Power supply(voltage/Frequency)	所供應的電源是否熱水爐上標明的電源(AC220V/50Hz)? Does power supply correspond to the one described in the specification label(AC220V/50Hz)on the heater?	5
	與易燃物品的距離 Distance from inflammables	熱水爐與易燃物品的距離是否足夠?是否有適當防火措施? Is there enough distance between the heater and inflammables?Are appropriate measures taken for fire prevention?	4
	安裝的條件 Conditions of installation	熱水爐與窗口及障礙物品的距離是否足夠? Is there enough distance between heater and windows or obstacles?	4
	維修空間 Maintenance space	是否有足夠空間供檢查及維修工作。 Is there enough space for inspection and repair work?	9
	烟道系統 Flue system	熱水爐的烟道系統是否正常工作? Is the heater installed where the flue system work properly?	4
安裝(水平地) Installation(level with ground)	熱水爐是否水平安裝? Is the heater installed level with ground?	9	

■ 測試操作

● 當完成安裝之後, 依照以下的步驟試爐

● 注意:

1. 測試操作前, 一定要確定以下幾點:

- 熱水爐/排氣喉與易燃物體之間的距離是否足夠?
- 熱水爐四周環境的情況是否妥當?
- 熱水爐的四周是否留有足夠空間以方便維修?
- 是否已經達到安裝要求?

2. 檢查水管。

開水掣及熱水龍頭, 確定有水供應, 並留意是否有漏水。檢查時, 一定要拔去電插頭。

3. 用鹼水或洗潔精塗在氣喉接駁處, 檢查是否有泄漏氣體。

4. 檢查地綫是否導電性能良好。

5. 檢查爐面板是否已上緊。

■ 步驟

1. 將氣喉內的空氣清除。

要將氣喉內的空氣排出, 熱水爐才可打着火。

將熱水龍頭打開五秒鐘, 然後關上三秒鐘。

再重複以上步驟直至爐頭被打着為止。

2. 按使用說明書第十頁及十一頁的開爐程序來打着熱水爐。

3. 如有任何問題, 翻閱使用說明書第十三頁的修理指南檢驗。

■ TRIAL OPERATION

● After the installation is completed, carry out trial run following the below procedures.

● CAUTIONS:

1. Confirm the following points before trial operation.

- Is there enough distance between the heater/exhaust pipe and inflammable?
- Is ambient condition for the heater all right?
- Is there enough servicing space around the heater?
- Are the installation requirements satisfied?

2. Confirm the water pipings.

Open the water main valve and hot water faucet and confirm that water is flowing out from the faucet. Also confirm whether there is any water leakage. At this time, make sure to plug out the power cord.

3. Confirm whether there is any gas leakage by applying soap sud or detection solution to piping connections.

4. Confirm whether grounding is correctly conducted.

5. Confirm whether the front panel is firmly screwed.

(PROCEDURES:)

1. Remove air in the gas pipe.

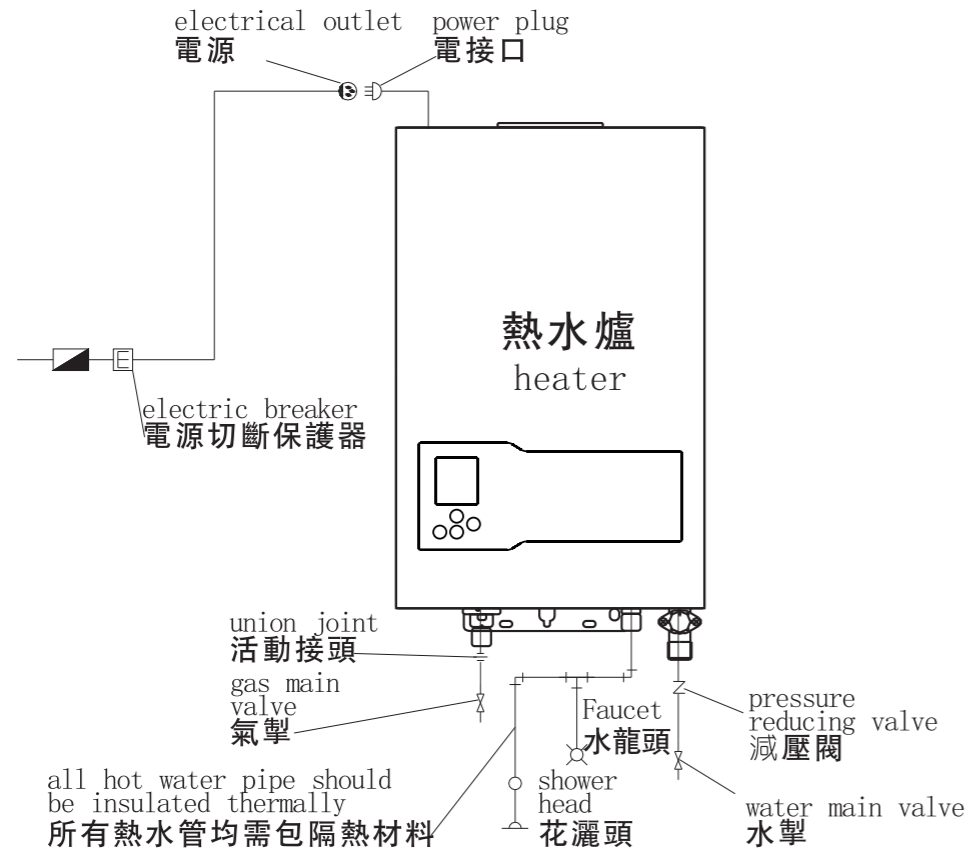
The heater does not ignite until the air in the pipe is removed. Open the hot water faucet for 5 seconds and close it for 3 seconds. Repeat them until the main burner ignites.

2. Follow the ignition procedures as described in page 10 and page 11 of Operation Manual to ignite heater.

3. If any trouble should take place, confirm and repair it referring to Trouble Shooting guide on page 13 of Operation Manual.

■ 安裝範例

■ EXAMPLE OF INSTALLATION



供水及熱水管道系統 Water supply and hot Water piping system	你是否開啓主水閥門來測試有沒有水供應? Did you check water supply by opening main water valve?	15~18	
	濾水器內是否有雜物? Is there any foreign material in the water filter?	16	
	水管接駁位有沒有漏水? Is there any water leakage at water connection?	—	
氣體管道系統 Gas piping system	氣體管道是否安裝妥當? 是否有氣體泄漏? Is gas piping system installed properly? Is there any gas leakage?	19	
	電力安裝是否跟指示進行? Is electric work completed in accordance with instructions?	20	
電力安裝 Electric work	地綫是否緊固接駁? Is grounding connection firm?	21	

給安裝技工 To installer

安裝熱水爐必須遵照本安裝手冊之要求以確保熱水爐安全操作。

若不遵照本安裝手冊之要求，將會收取熱水爐維修費。安裝完成後須將安裝手冊給與用戶。

Installation of the heater must comply with this manual for safety operations.

If the installation does not comply with this manual, repairs required to fixing heater will be charged. Make sure to give this manual to user after installation is completed.

給用戶 To user

此熱水爐是家用式。請勿作為商業用途(如酒樓...等)

This heater is for domestic use. Do not use it for commercial purposes (restaurant, etc.)

配件 Accessories

零件名稱 Parts name	外觀 Appearance	數量 Quantity
使用說明書 Operation manual		1
安裝手冊 Installation manual		1
保證書 Warranty Card		1
螺絲 Screws		1



安全指示 Safety in instructions

必須嚴格遵照以下項目以避免用戶或他人受到傷害及財物受到損壞。

The below listed items shall be strictly followed to prevent user and other people from suffering an injury and to prevent your property from being damaged.




■當不遵照“注意事項”而發生意外，表示受傷及破壞之程度的標誌如下。

The below markings show the level of injury and damage caused when cautions are not followed.

	警告 項目有此標誌表示可能會有生命危險及嚴重受傷。 WARNING This marking is labeled on those items that any death or a serious injury is expected.
	注意 項目有此標誌表示可能會有受傷及財物受到破壞。 CAUTIONS This marking is labeled on those items that any injury and material damage is expected.

■以下標誌會用於安裝手冊。

The below listed markings are used in the installation manual.

	此標誌表示須提高警覺。 This marking is given to those items to call your attention.
	此標誌給禁止項目使用。 This markings is given to those items banned.
	此標誌代表這些項目必須確實遵從。 This markings is given to those items to be strictly followed.

熱水爐安裝標準 Standards for heater installation

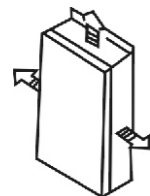
■熱水爐安裝必須遵照當地的條例，標準，法例及指引。

Installation must comply with local laws, standards, regulations and guidelines.

警告 WARNINGS

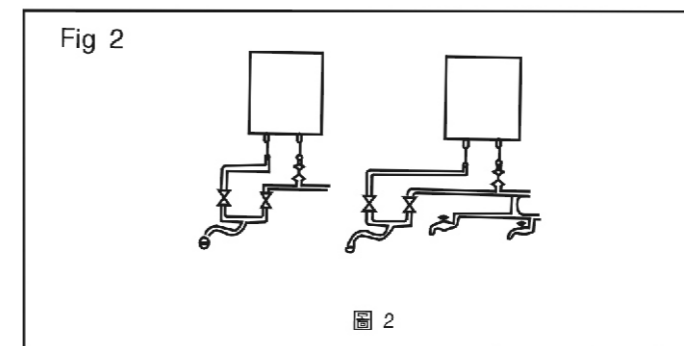
確定熱水爐安裝位置旁的牆壁及屋頂是由防火物料製造及與熱水爐之間有足夠距離達到防火效能。

Confirm that walls and ceiling where heater is installed are made of the fire preventive materials and that enough distances between heater and walls and ceiling are secured for fire prevention.



熱水爐旁：超過45毫米。
Side: more than 45mm

若沒有足夠距離，可能導致生火。
If not enough distances, a fire may be caused.



■HOT WATER PIPING

- Use copper pipe. Do not use lead or vinyl chloride pipe. They may burst when used.
- Install the heater near where hot water is frequently used and make hot water piping as short as possible.
- The number of joints used in the piping should be as minimum as possible. Do not have a complicated piping arrangement.
- Do not allow any air pocket or trap during piping. If there is any air pocket, it may take a rather long time before the main burner flame goes out after the faucet is closed. Even, there may be a case that the heater will be ignited instantly when the other faucet is opened even if the hot water faucet is closed.
- Arrange hot water piping so that it has a falling gradient. (1/100~1/200)
- Use a shower head with minimum water pressure loss.
- When arranging hot water piping to the second floor, the minimum required water pressure at the water inlet of the heater should be more than 1.5kg/cm.
- When the hot water piping is arranged as described in Fig.1, draining water is not possible. Make sure to have a drain cock at appropriate place.

■氣體喉管

- 在熱水爐氣體入口一定要安裝氣掣。
- 接駁氣喉至入氣口時，要用活動接頭以預留生位。
- 氣喉系統不應超過20米，否則要用3/4寸或更大喉管。

GAS PIPING

- Make sure to have gas main valve under the heater.
- Use union when connecting gas pipe with gas inlet.
- Gas piping system should be no longer than 20m, or otherwise use 3/4" or larger pipe.

■電力安裝 ELECTRIC WORK

■注意

- 此熱水爐是使用AC220 / 50Hz電源來操作。在接駁前一定要檢查清楚電源類別。
- 綫路系統已有漏電斷路裝置RCD(15mA)。

■CAUTIONS

- This heater is operated on AC220/50Hz, Confirm the power supply before electrical connection is made.
- There is a safety device RCD(15mA) in the electrical wiring.

■電源接駁

將三腳插頭正確地插入已可靠接地的三孔電插座上。

Properly Insert the 3 pins plugs into the terminal which have already been connected to the grounding wire.

- Do not connect water supply pipe with hot water outlet. The heater will not operate.
- Before connecting pipes with water inlet, make sure any dust in the piping will be poured out.
- Standard pressure loss in piping system
 Straight pipe (PT 1/2m) :0.012kg/cm²(at flowrate of 10liters/min)
 Straight pipe(vertical rise):additional 0.1kg/cm² per meter
 90° Elbow equivalent to 0.6m straight pipe
 45° Elbow : equivalent to 0.36m straight pipe
 T pipe(direct flow) : equivalent to 0.18m straight pipe
 Allowance in total piping system : 0.3kg/cm²

● Example

1)When faucet A is used ;

- Straight pipe : 8m \times 0.012=0.096kg/cm²
- Elbow : 2 \times 0.012 \times 0.6=0.0144kg/cm²
- T pipe : 2 \times 0.012 \times 0.18=0.00432kg/cm²
- faucet A : 0.125xkg/cm²

Minimum operating pressure: 0.2kg/cm²

- Allowance : 0.3kg/cm²
- Total :Approx.0.7kg/cm²

2)When shower head is used;

- Straight pipe : 3.8m \times 0.012+0.18=0.2256kg/cm²
- 90° Elbow : 0.012 \times 0.6=0.0072kg/cm²
- 90° T pipe : 0.012 \times 0.9=0.0108kg/cm²
- Shower head : 0.5kg/cm²

Minimum operating pressure+allowance=0.5kg/cm²

- Total : Approx.1.24kg/cm²

Note: Shower head pressure loss is subject to type of shower head used.

■ 熱水喉管

應用銅喉，切勿使用鉛喉或塑膠喉，因使用時可能會爆裂。

盡量縮短喉管，及將熱爐安裝於最常使用熱水的地方。

喉管越少接駁位及越簡單越好。

駁喉時切勿留有氣阱。如果有氣槽或氣阱，熱水龍頭被關閉後，還要等一段長時間爐火才會熄滅。

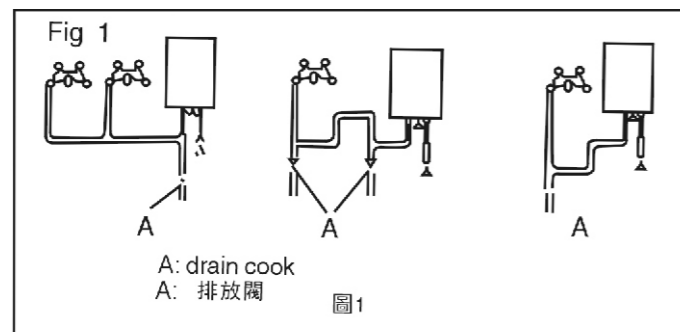
甚至即使熱水龍頭已被關閉，當其他水龍頭開啟時，熱水爐也可能會立即被燃點著。

安裝熱水管要保持一個向下的傾斜度。(1/100~1/200)

使用一個阻力最少的花灑。

如伸延熱水喉管上樓時，熱水爐入水口的水壓最少要有1.5公斤/平方厘米。

如熱水爐管排列如圖1、是不可能排水，一定需要有一個排放閥。

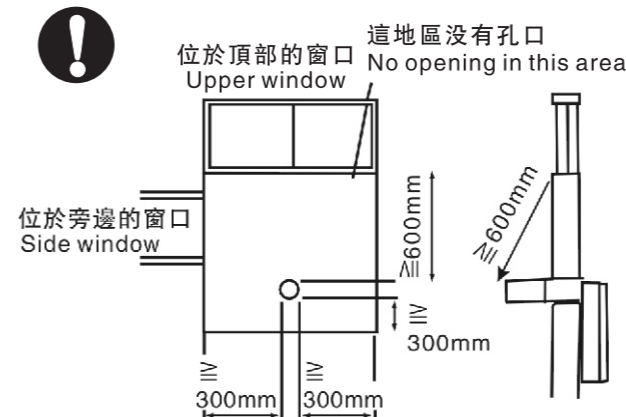


安全指示 Safety in structions

警告 WARNINGS

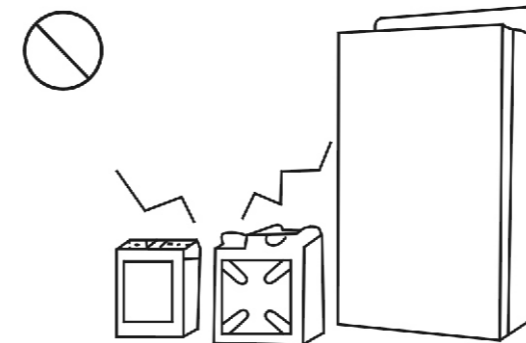
■ 確定熱水爐安裝位置四周沒有窗口。
 (若有窗口，熱水爐須與窗口保持足夠距離。熱水爐頂之窗口：超過600毫米，熱水爐旁之窗口：超過300毫米)

Make sure to install heater where there is no window around the heater.
 (If there is a window, make sure to secure) enough distance between heater and window.
 Window above heater: more than 600mm
 Window at side of heater: more than 300mm



若廢氣回氣入室內，可能導致產生有毒一氧化碳。
 If the exhaust air returns inside the room, a carbon monoxide toxication may be caused.

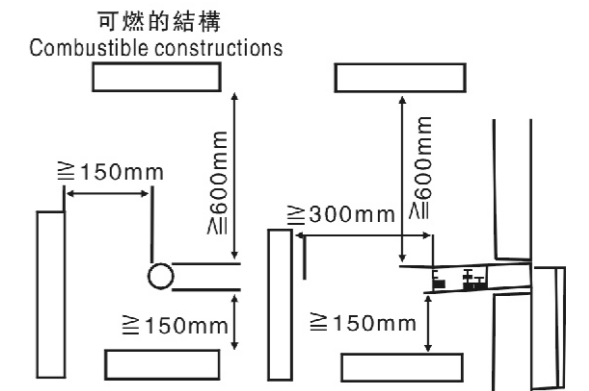
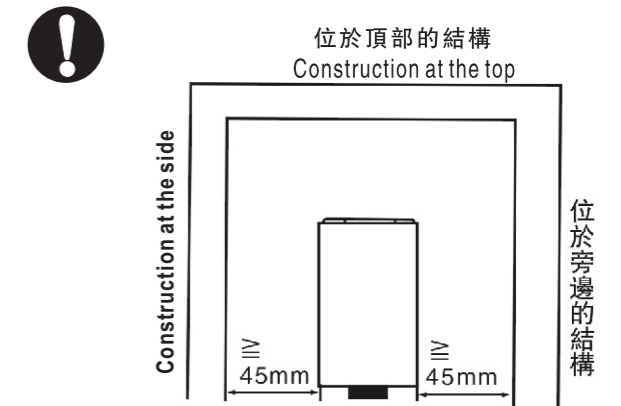
■ 切勿安裝熱水爐在使用易燃物品之地方，如汽油、苯、火水及黏合劑。
 Do not install the heater where, inflammables including gasoline, benzen, kerosene and glue are used.



可能導致生火。
 A fire may be caused

■ 確定熱水爐與易燃物品之間有足夠距離，如下述。

Make sure to secure enough distance between heater and inflammables as described below.



若足夠距離不能維持，熱水爐或結構材料會因受熱而導致生火。
 If enough distance is not secured, heater or construction materials may be heated to cause fire.

■ 切勿安裝熱水爐在可燃物品附近，如衣物。
 Do not install heater near combustibles like cloth.



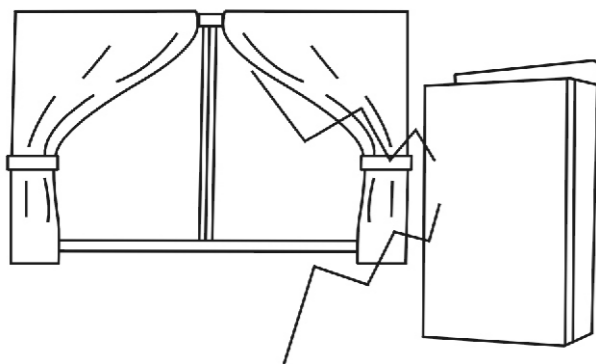
可能導致生火。
 A fire may be caused

安全指示

Safety instructions

切勿安裝熱水爐在有可燃物品的地方，如窗簾及傢俬。

Do not install heater where combustible materials like curtains and furniture are installed.



可能導致生火。
A fire may be caused.

切勿使用非熱水爐上標貼所標明之電力(伏特/頻率)及氣體供應。

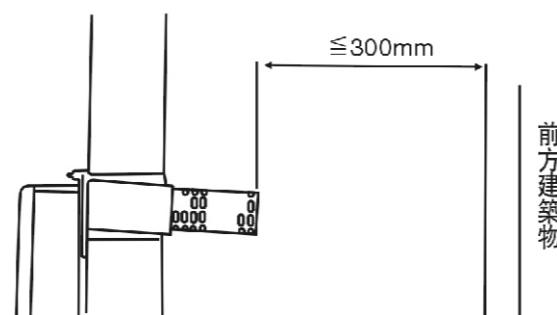
Do not use gas and power supply (voltage/frequency) other than specified in the specification label on heater.



若使用其它電力及氣體，熱水爐可能不正常操作，而不正常燃燒可產生有毒一氧化碳及可能導致生火。
If other type of gas and electricity is used, heater may not operate properly and carbon monoxide toxication and fire may be caused by an abnormal combustion

熱水爐前面需與障礙物保持300毫米，若不能達到，切勿安裝。

Do not install the heater where there is any obstacle(wall,etc) within 300mm in front of the heater.



廢氣回流可能導致不正常燃燒而引致生火。
Abnormal combustion may take place by returned exhaust air to cause fire.

烟道必須密氣及安裝穩固。
Flue duct must be airtight and firmly fixed.



若烟道安裝不妥當，廢氣可能回流室內或烟道不能正常操作而導致不正常燃燒，缺氧或產生有毒一氧化碳可能發生。
If the flue duct is not installed properly, exhaust air may return into the room or flue system may not work properly to cause an abnormal combustion. A oxygen depletion or a carbon monoxide toxication may be caused.

■供水喉管

- 安裝喉管時需考慮到減除喉管系統內的壓力損失後，仍有足夠的水壓操作熱水爐。
需要最低的水壓=操作時需要的水壓 (0.2公斤/平方厘米)
+喉管系統內所損失的水壓
+0.3公斤/平方厘米 (多預的壓力)

- 在熱水爐供水入口一定要安裝水掣，因檢修熱水爐及排水時都是要關閉掣。
- 切勿將供水喉管接駁到熱水出口，這樣熱水爐是不能操作的。
- 將喉管接駁至入口前，一定要確定所有喉管內的污垢都已被沖出。
- 喉管系統內通常的壓力損失。

直喉 (PT1/2吋/米) : 0.012千克/平方厘米 (如果每分鐘流量是10公升)

直喉 (垂直升高, 每米) : 以上的數字再加每平方厘米0.1千克

90°曲尺 : 相等於0.6米直喉所減低的壓力

45°曲尺 : 相等於0.36米直喉所減低的壓力

三叉 (直流) : 相等於0.18米直喉所減低的壓力

整個喉管系統再多預的壓力損失: 0.3千克/平方厘米

1.當使用水龍頭A

直喉 : 8米X0.012=0.096千克/平方厘米

90°曲尺: 2X0.012X0.6=0.0144千克/平方厘米

90°三叉: 2X0.012X0.18=0.00432千克/平方厘米

水龍頭A: 0.125千克/平方厘米

最低操作水壓: 0.2千克/平方厘米

再多預的壓力損失: 0.3千克/平方厘米

總數: 大約0.74千克/平方厘米

2.使用花灑

直喉 : 3.8米X0.012+0.18=0.2256千克/平方厘米

90°曲尺: 0.012X0.6=0.0072千克/平方厘米

90°三叉: 0.012X0.9=0.0108千克/平方厘米

花灑 : 0.5千克/平方厘米

最低操作水壓+再多預的壓力損失: 0.5千克/平方厘米

總數: 大約1.24千克/平方厘米

注意: 花灑耗用多少水壓是要視乎花灑的類型。

■ WATER SUPPLY PIPING

- Arrange water piping so that there is enough water pressure for ignition taking pressure loss in the piping system into consideration.

Minimum required water pressure = operating water pressure(0.2kg/cm²)(At water inlet)

+pressure loss in piping system

+0.3kg/cm²(Allowance)

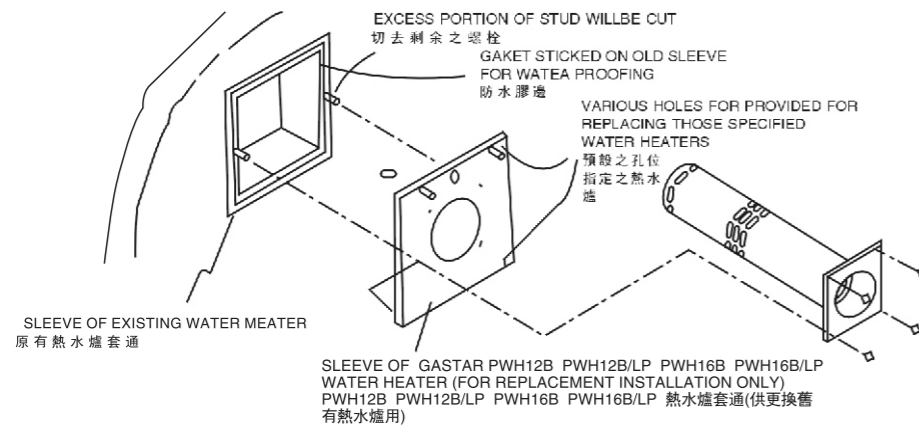
- Be sure to have main water valve under the heater. It is necessary when servicing or draining water.

■更換原有之對衝式熱水爐

- 1.關閉冷水來水掣及氣掣。
- 2.打開熱水龍頭及熱水爐的排水閥，將原有熱水爐內之水排去。
- 3.拆除原有所有連接喉管，熱水爐及通氣管，但保留原有通氣管套通。
- 4.將新爐之通氣管套通裝於原有套通上，用絲母收緊，並將突出之螺絲切平。
- 5.新舊套通間之隙須用適當之防水物料如海棉膠邊等封好，以免雨水進入。
- 6.其餘安裝方法與新安裝相同

■ REPLACEMENT OF EXISTING BALANCED FLUE HEATER

- 1.Close the cold water supply valve and gas supply valve.
- 2.Open the hot water faucet and the drain cock of the heater to drain the water inside the existing water heater.
- 3.Dismantle the existing connecting piping, water heater and flue terminal, but keep the flue sleeve.
- 4.Install the new sleeve onto the existing sleeve, fix all the bolts with nuts and out the protruded bolts after tightening the nuts.
- 5.Sell the gap between the two sleeves with suitable water proofing materials such as foamed rubber tape to avoid rain water from passing through into the bathroom.
- 6.Install the water heater following the same procedures for new installations.



■ 喉 管

- 本熱水爐使用銅喉。
- 須確定喉管接駁於正確之入口及出口。
- 使用以下尺碼之喉管。
供水喉: PT1/2
熱水喉: PT1/2
供氣喉: PT1/2
- 此爐出水溫度為30-70°C，如需較低水溫，請加裝冷熱水混合掣。

■ PIPING

- Piping of this heater is made of copper.
- Be sure to connect each pipe with a correct inlet/outlet as described in Fig.
- Use below size of pipes:
Water supply: PT1/2
Hot water supply: PT1/2
Gas supply; PT1/2
- This heater supplies 30-70°C of hot water. Make sure to use to use a mixing faucet if lower water temperature is desired.

警告 Warnings

- 安裝必須由專業註冊氣體技工執行。
Installation must be done by a Registered Gas Installer.



由非認可人仕安裝不當之熱水爐，可能產生缺氧或有毒一氧化碳。
If the installation is not carried out properly by a qualified person, an oxygen depletion or a carbon monoxide toxication may be caused.

- 安裝烟道時，確定烟道不會滑出其位置。
When the flue duct is installed, make sure that flue duct will not slip out of position.



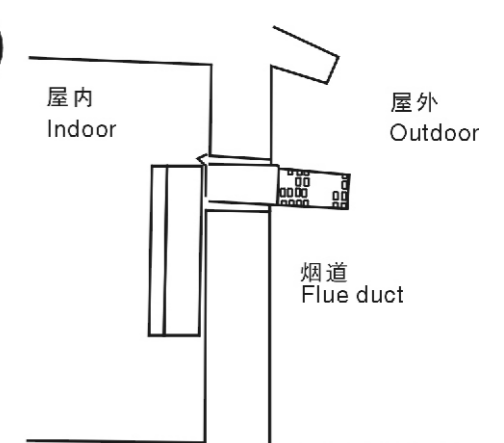
若廢氣回流入室內，可能導致缺氧或產生有毒一氧化碳。
If an exhaust air returns into rooms, an oxygen depletion or a carbon monoxide toxication may be caused.

- 確定使用生產商指定之烟道。
Make sure to use the flue duct specified by the manufacturer.



若烟道安裝不妥當，廢氣可能回流室內或烟道不能正常操作而導致不正常燃燒，缺氧或產生有毒一氧化碳可能發生。
If the flue duct is not installed properly, exhaust air may return into room or flue system may not work properly to cause an abnormal combustion. An oxygen depletion or a carbon monoxide toxication may be caused.

- 確定安裝烟道面向室外。
Make sure to install the flue duct so that the duct faces outdoor.

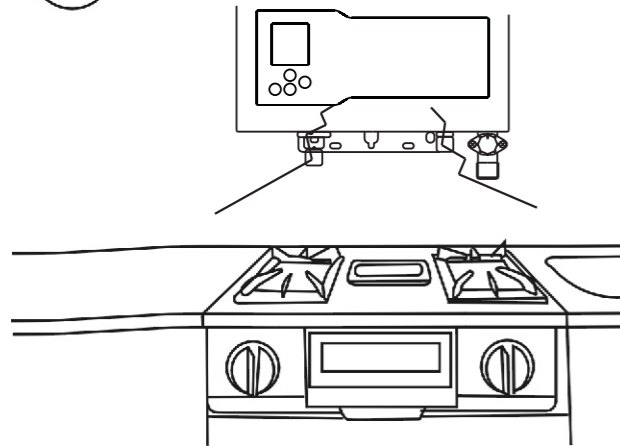


若廢氣回流入室內，可能導致缺氧或產生有毒一氧化碳。
If an exhaust air returns into rooms, an oxygen depletion or a carbon monoxide toxication may be caused.

安全指示 Safety in structions

切勿安裝熱水爐在煮食爐具頂部。

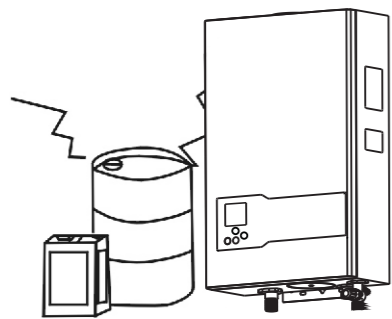
Do not install the heater above cooking appliances.



煮食爐具的廢氣及油膩物質可能損壞熱水爐。
The heater may be damaged by exhaust air and oily materials produced by cooking appliances

切勿安裝熱水爐在使用特別化學物品的地方，如一般洗衣工場及工廠所使用的氨，硫磺，氯氣及酸等。

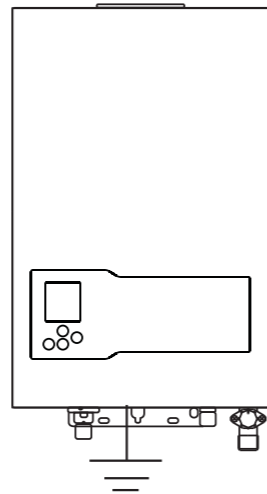
Do not install the heater where special chemicals are used such ammonia, sulfur, chlorine, ethylene compounds, acid, etc., which are generally used at a laundry and factory.



氯氣混合物對人體有害及損壞熱水爐。
A corrosive gas produced by chlorine compound is harmful to human body and the heater may also be damaged.

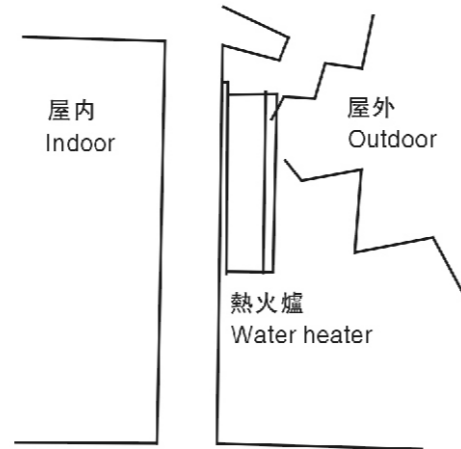
確定熱水爐已接地。

Make sure to ground the heater.



漏電可能導致觸電。
Any electric leakage may cause an electric shock.

熱水爐切勿安裝於室外。



若安裝於室外，風雨可能導致熱水爐產生問題或生火。
If it is installed outdoor, it may cause a fire or trouble by wind and rain.

*除背排式熱水爐外，還有頂排式熱水爐，以下為頂排式熱水爐的安裝方法
*besides the back flue water heater, and also have top flue water heater, the installation method of top flue water heater is as follows:

7、確定熱水爐的安裝位置後，按圖示位置和要求鑽孔，所鑽的孔應能保證熱水爐安裝後垂直。

7) Ensure the water heater installation position, drill out holes as drawing required and be sure the drill out position can install the water heater vertically.

8、4- $\phi 8$ 孔用螺釘固定。

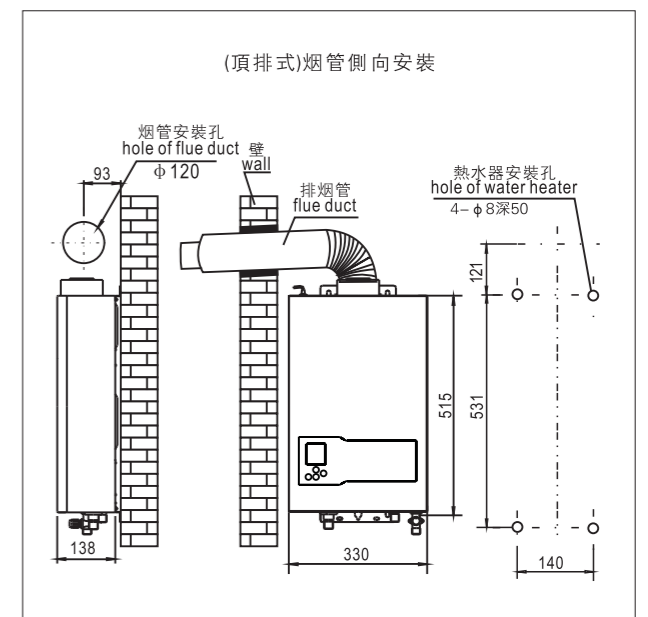
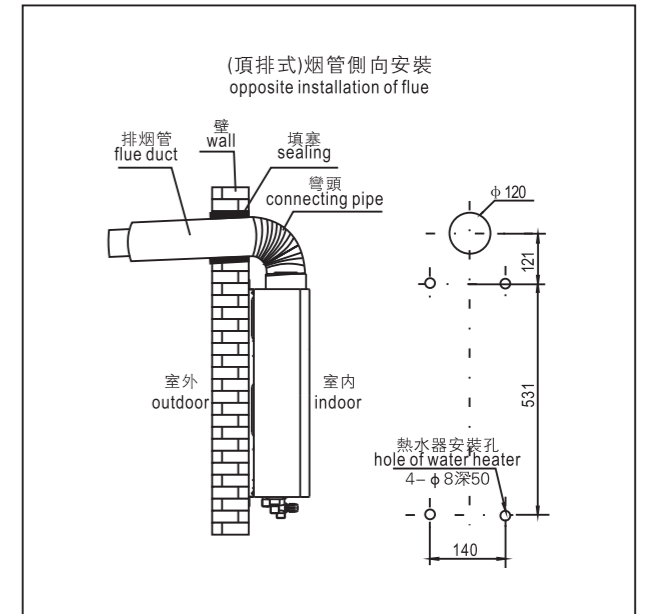
8) Fixing with 4- $\phi 8$ screws

9、烟管背向安裝時，將烟管插入鑽好的烟管安裝孔，排烟口向外，將彎頭插進熱水爐的出烟口，彎頭的另一端正對準烟管，烟管套入彎頭，然後一齊向後移，熱水爐的安裝孔對準膨脹螺釘，將其掛在螺釘上，擰緊螺母固定。(注意彎頭有方向性，並且彎頭兩端接口處應用箔紙密封固定)

9) When install the flue duct opposite to the wall, please plug in the flue duct into drilled hole, and the outlet part towards outside, and then plug the connecting pipe in the flue outlet of the water heater. Connect the connecting pipe with the flue duct, and then mount the water heater onto the PY plug, and fix it by using the nut. (Please mind that the connecting pipe could turn multi-directional and please seal and fix it by using aluminium-foil paper.)

10、烟管側安裝時將熱水爐的安裝孔對準膨脹螺釘，將其掛在螺釘上，擰緊螺母將熱水爐固定好，將烟管放入烟管安裝孔中，彎管插進熱水爐出烟口上，再將烟管套入彎管中（同樣也要在彎頭兩端貼箔紙密封固定）。

10) When install the flue duct in side direction, please mount the water heater onto the PY plug, and fix it by using the nut. Put the flue duct into the drilled hole in the wall and connect it with the water heater by connecting pipe (please seal and fix it by using aluminium-foil paper.)



4. 用防水材料填塞牆孔與套通之間的空隙,防止水滲入浴室內。
 注意:此熱水爐只適合安裝於厚度少於300mm以下的牆壁。
 安裝給排氣管套通必須稍微向下傾斜,以防止雨水從排氣管滲入熱水爐。

Seal between the wall and the sleeve unit with sealing material so that rain will not come into the bathroom.

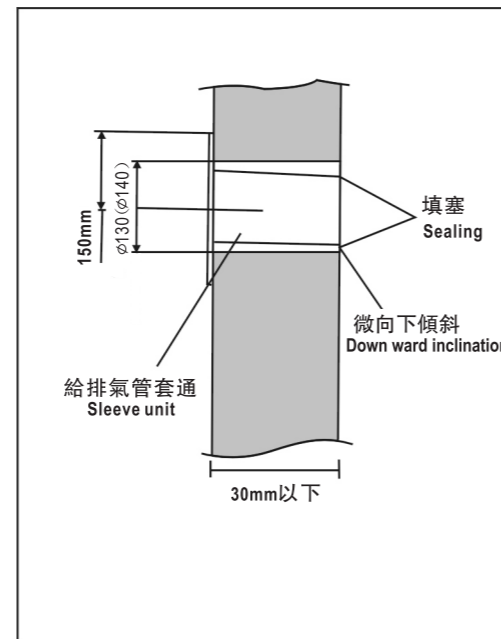
(Note)

The heater can be installed on the wall having up to 300mm thickness.

If the wall thickness is more than 300mm, the heater cannot be installed.

Make sure that the sleeve has a downward inclination when installed.

(If the sleeve unit is installed up side-down, the rain will come into the heater.)



5. 把給排氣通穿入套通內接好。

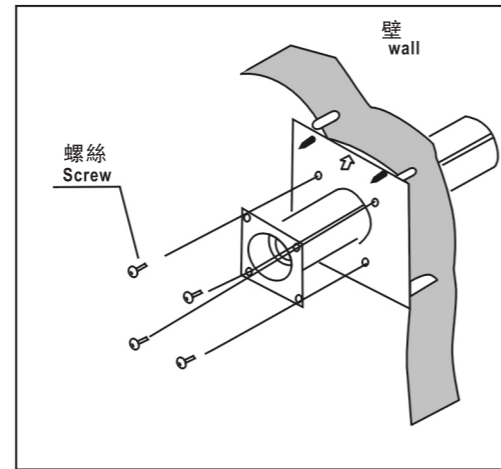
注意: 給排氣管於安裝時必須向下傾斜, 以防止雨水縱排通管滲入熱水爐。

Mount the flue terminal onto the sleeve unit.

(Note)

The flue terminal has a downward inclination when installed.

(If installed upside down, the rain will come into the heater.)



6. 把熱水爐掛在套通板上的兩枚螺栓上, 用絲母收緊, 另用螺絲把底碼收緊在牆上。

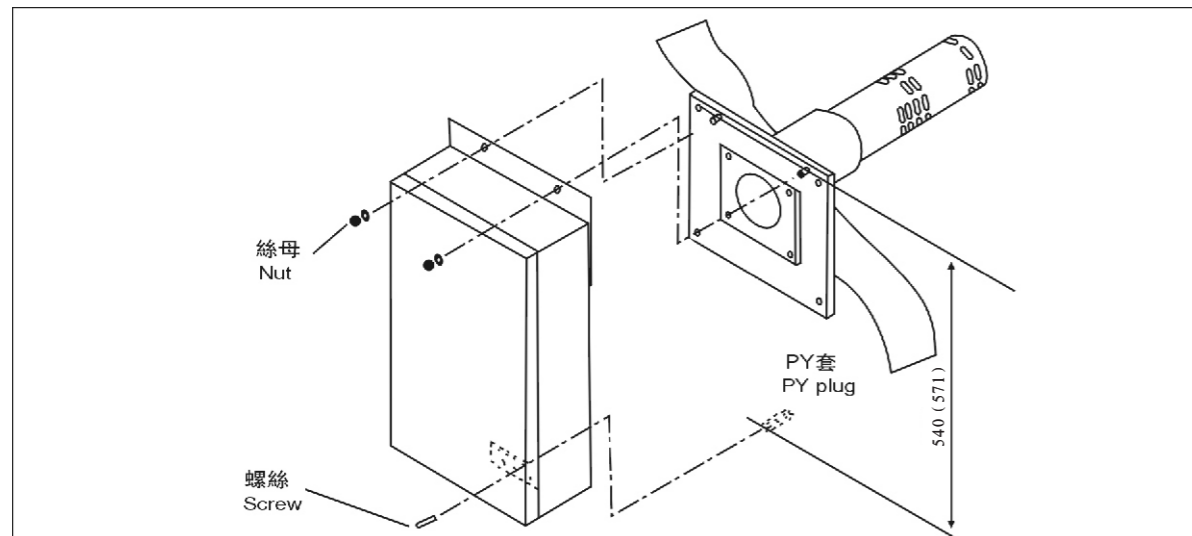
注意: 安裝時必須確定熱水爐之排氣口已套通內。

Hang the heater onto the bolts of the sleeve unit and fix it with nuts.

Fix the lower bracket with screws onto the wall.

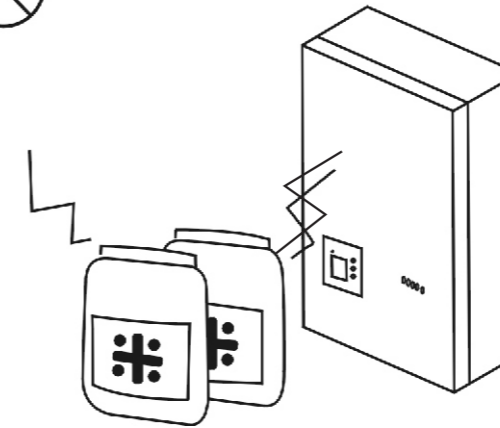
(Note)

Make sure that air port of the heater is inserted into the air terminal.



注意 Cautions

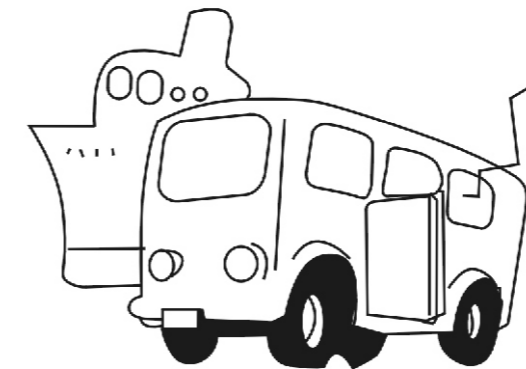
- 熱水爐切勿安裝在煮食器皿及食物上面。
 Do not install the heater above cooking utensils and foods.



當熱水爐殘舊時, 鐵鏽及煤粒可能脫落。

Rust and soot may fall off from the heater when it becomes old.

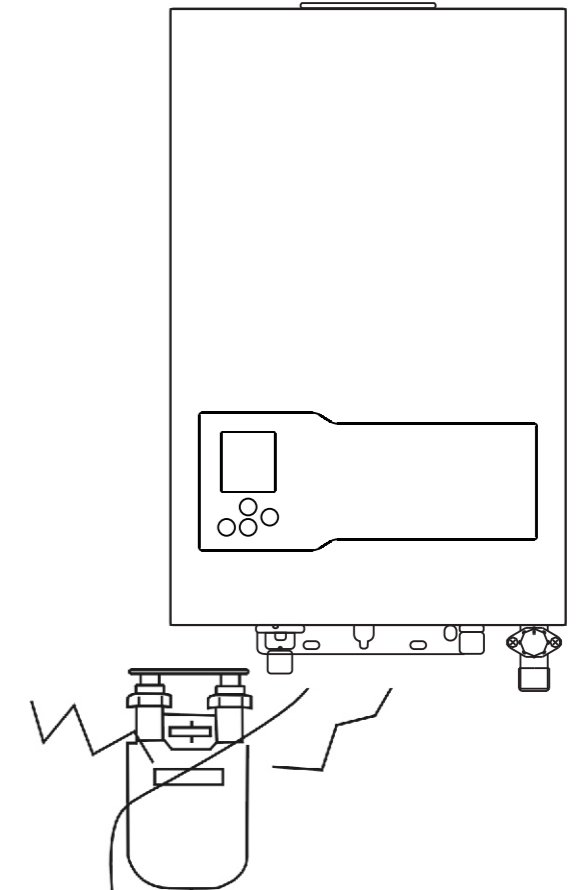
- 切勿將熱水爐安裝在車輛或船上。
 Do not install the heater on vehicles and vessels.



熱水爐可能受震蕩而跌下來。

The heater may fall down by the vibrations to cause a fire or an injury.

- 切勿將電源綫接駁在氣體喉管上。
 Do not connect electrical wirings to the gas piping.



漏電可能導致觸電或生火。

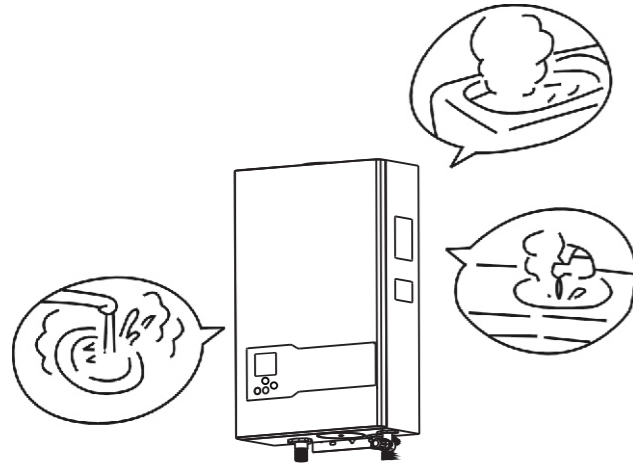
An electrical leakage may cause an electrical shock or a fire.

安裝注意事項

Cautions for installation

■ 安裝熱水爐在常用熱水附近的地方。

Install the heater near where hot water is frequently used.

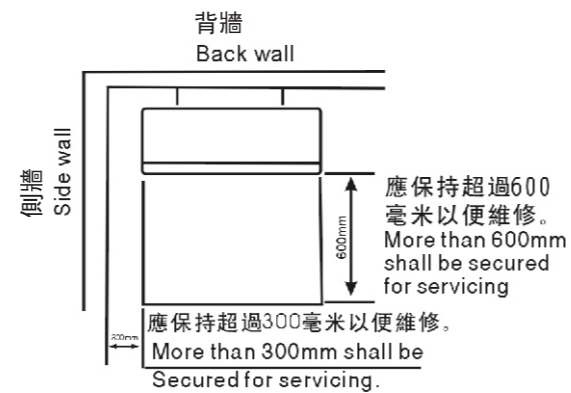


若安裝較長的熱水喉管，熱損失將會較大。
If hot water piping becomes longer, the thermal loss becomes greater.

■ 確定有足夠空間供檢查及維修工作。

(距離熱水爐前面超過600毫米及四周超過300毫米)

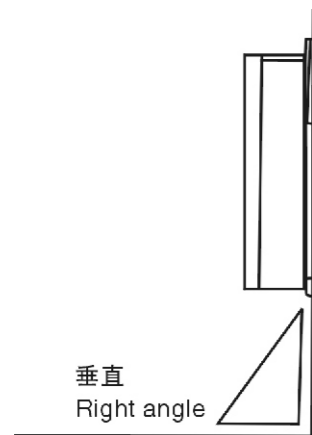
Make sure to secure enough space for inspection and service.
(more than 600mm in front of the heater and more than 300mm at sides.)



若不是，維修工作可能不能進行。
If not, service and maintenance work may not be carried out.

■ 確定熱水爐安裝在垂直的牆身。

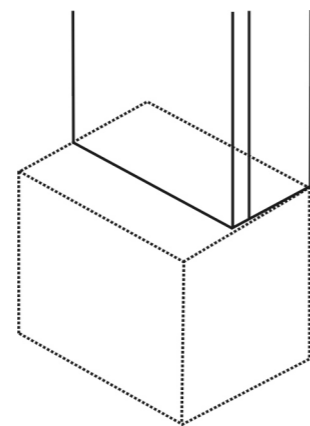
Make sure to install the heater on a vertical wall.



若不是，不正常燃燒可能產生。同時排水來防止結冰也困難。
If not, an abnormal combustion may be caused. It is also difficult to drain water for freeze prevention.

■ 確定熱水爐底部有足夠空間供喉管安裝及排水用。

Make sure to secure enough space under the heater for piping installation and water draining.



若不是，維修工作可能不能進行。
If not, service and maintenance work may not be carried out.

■ 熱水爐安裝步驟

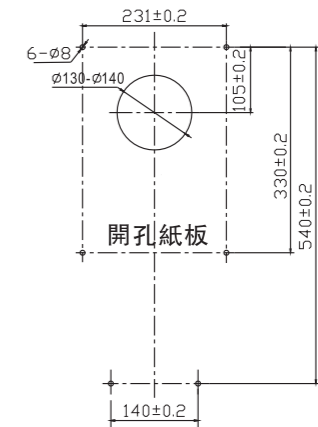
Installation procedure of the heater

1. 決定安裝熱水爐之位置。

按右圖尺寸在牆上開1個130-140毫米的孔，鑽6個8毫米的孔，其中上面四個孔是安裝掛板的，6個孔打入膠塞，(下面二個孔是固定熱水爐底碼)。

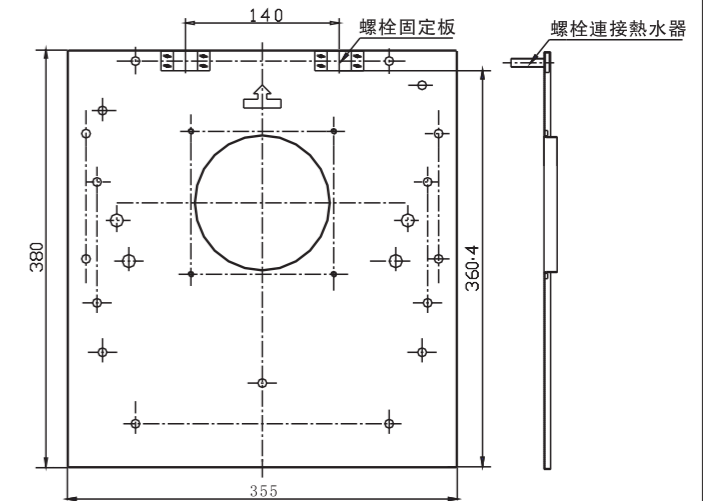
1. Decide the position of installing the heater

Refer the right drawing, make a hole diameter 130-140mm, according to the position shown on the cutting board, Drill 6 holes with diameter 8mm in the wall and insert rubber pin into each holes. 4 holes which upper position are for sleeve unit. the lower 2 holes which for positioning the heater.



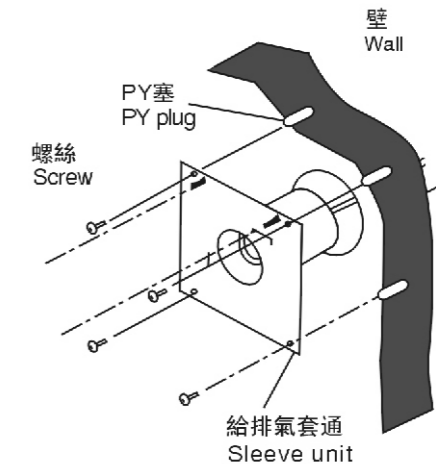
2. 套通板上距離140毫米的兩螺栓是連接熱水爐。

2) the two bolts with distance 140 mm on the sleeve unit are for connecting the heater.



3. 安裝給排氣管套通。

Install the sleeve unit on the wall, as shown on Fig.



熱水爐安裝

Heater installation

■ 烟道安裝指引

Instructions on flue duct installation

1. 確定烟道安裝是否符合下列要求。

Make sure to confirm whether flue duct installation meets the below requirements

● 烟道是否面向室外?

Is flue duct facing outdoor?

● 烟道孔道是否有防火結構?

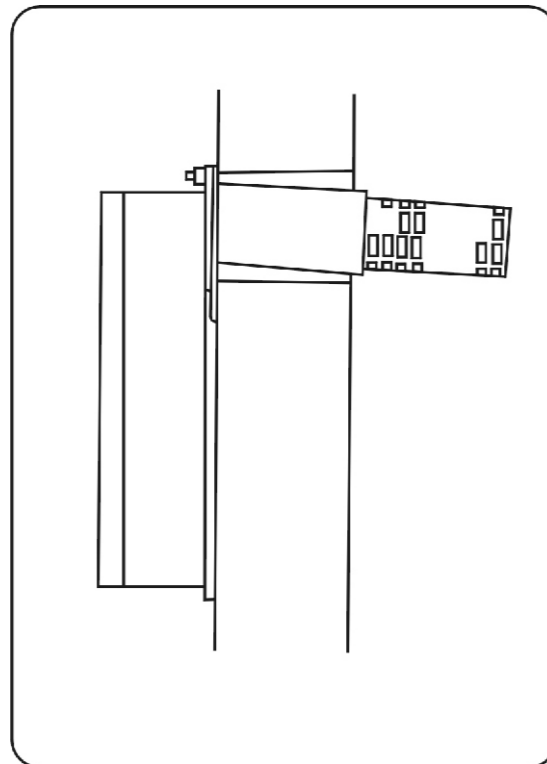
Does flue duct hole on the wall have a fire preventive construction?

2. 安裝熱水爐必須沒有傾斜。

The heater must be installed without any inclination.

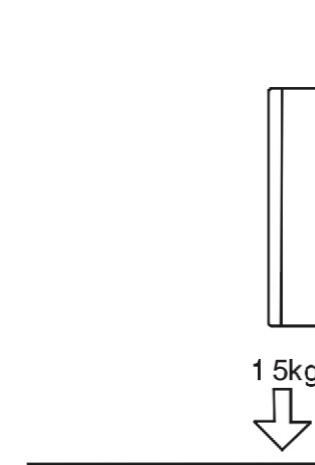
3. 烟道切勿安裝於下部潮濕的地方。

Do not install the flue duct where humidity and vapor comes from underneath.



■ 安裝熱水爐的牆身必須能夠承擔15公斤重的熱水爐。

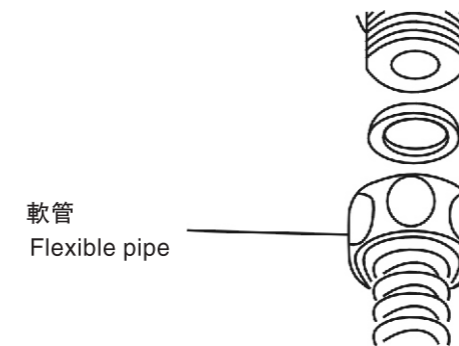
The wall on which the heater will be installed must be strengthened so that 15kg heater can be mounted.



若不是，熱水爐可能跌下來。
If not, the heater may fall down.

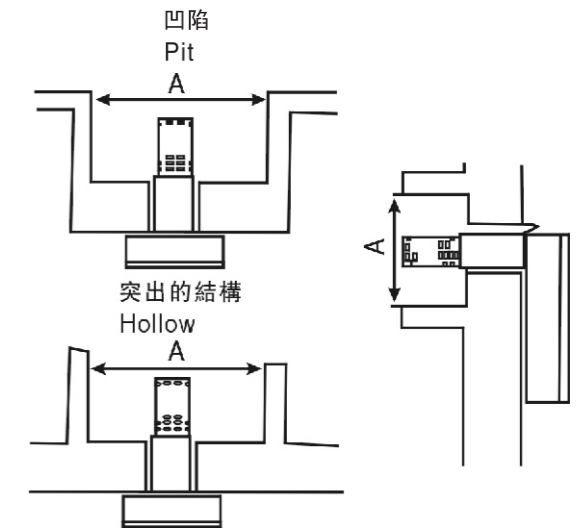
■ 確定使用軟管接駁冷熱水位以便日後維修。

Make sure to use flexible pipe for hot water connections so that repair work will be carried out smoothly.



軟管
Flexible pipe

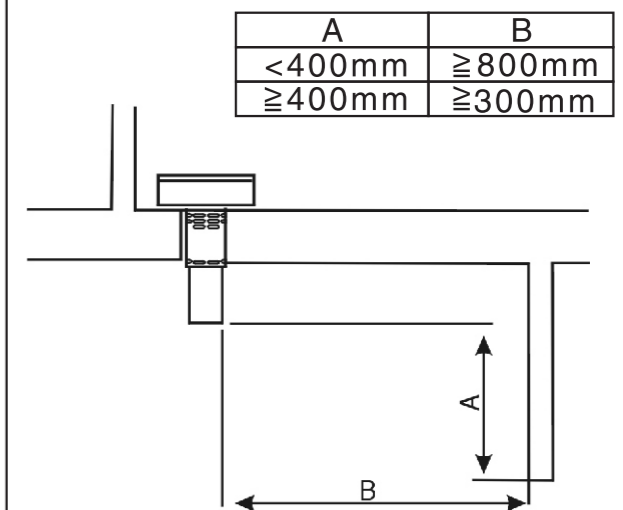
■ 熱水爐切勿安裝在空氣不流通的坑道內。 Do not install the heater in a pit where air flow is disturbed.



若“A”的距離多過1500毫米，是可接受的。
It is acceptable if the distance “A” is longer than 150cm.

■ 確定烟道四周800毫米內沒有障礙物阻礙通風。

Make sure that there is no obstacle within 800mm from the flued duct, which disturbs air flow.

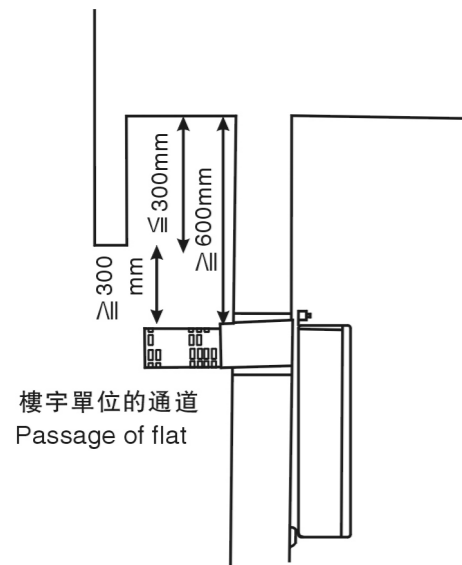


安裝注意事項

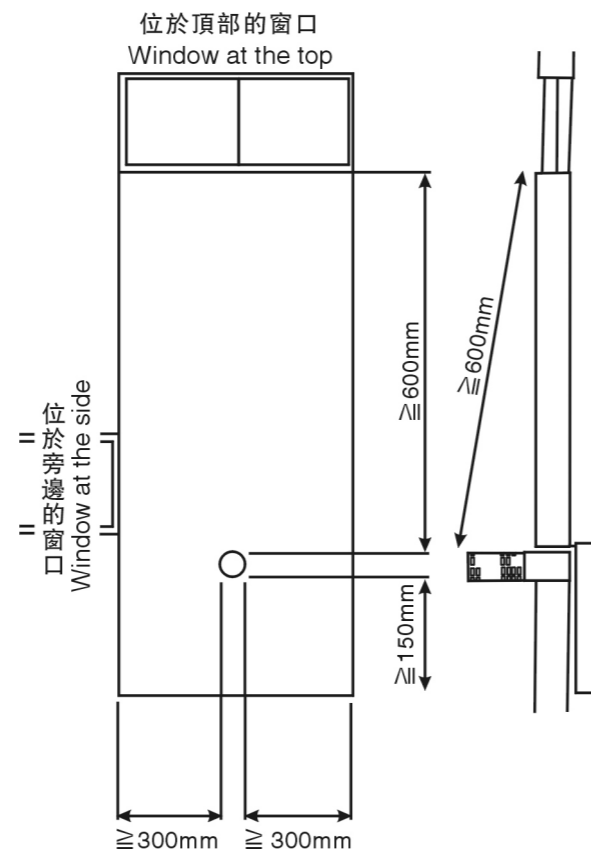
Cautions for installations

若不能維持足夠距離，空氣吸入及廢氣排出系統可能不能正常運用而引致不完全燃燒。
If the enough distance is not secured, the air intake and exhaust system may not work properly to cause the incomplete combustion.

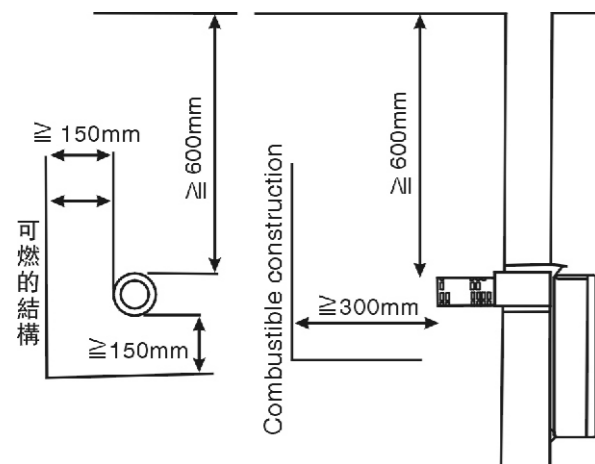
- 於熱水爐頂上600毫米沒有障礙物的地方安裝。
Install the heater where there is not obstacle within 600mm above the heater.



- 下列為烟道與開口位之間最低限度距離以免廢氣回流。
The minimum distance between the heater and openings where exhaust air may flow in must be kept as described below.



- 下列為烟道與易燃物品之間最少距離。
Below described minimum distance between flue duct and inflammables must be kept.

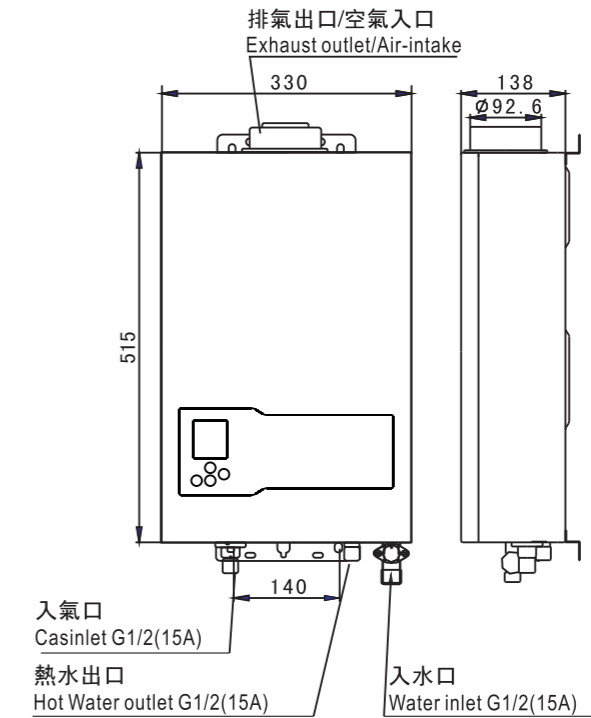


尺寸

Dimensions

單位: 毫米
Unit: mm

頂排



背排

